

Vi-ON 2.5" External HDD Enclosure

Transform any 2.5" internal hard drive into a high-speed and mobile storage device.

User's Manual



User's Manual

Table of Content

Part I – Introduction

1.1 Overview-----	P1
1.2 Component Check-----	P1
1.3 Features-----	P1
1.4 Technical Specification -----	P2
1.5 System Requirement -----	P2

Part II – Installation

2.1 SATA Hard Drive Installation -----	P3
2.2 Connecting VI-ON -----	P4
2.3 Troubleshooting -----	P5

1. Introduction

1.1 Overview

With huge amount of digital data that are available today in our every day life, storing them has been made very simple thanks to continuing price drop in larger capacity hard drives. However, storing hard drive itself has not really improved much until now.

Designed to stand out, VI-ON's unique structural design along with eccentric metal mesh makes it visually pleasing to be placed almost anywhere. Its miniature size makes it extremely easy to be carried around so you'll have the data or media where you need it and when you need it. After all, it is an external mobile enclosure.

1.2 Component Check

Before you start, make sure the following parts are included within the package. Should there be missing part(s), please return the product to where the product was purchased.

- a. VI-ON Main Unit
- b. Y-type USB Cable
- c. Cleaning Cloth

1.3 Features

- All-around metal mesh opening provides unobstructed airflow intake to achieve noise-less convection cooling

- Supports all 2.5" SATA hard drive capacity up to 500GB.

1.4 Technical Specification

P/N	ST0006Z / ST0007Z
HDD Supported	2.5" SATA Hard Disk Drive
Capacity Supported	Up to 500GB
Interface	SATA to Hi-Speed USB2.0
Dimension LxWxH	135mm x 88mm x 25mm / 5.31" x 3.46" x 0.98"
Compatible System	Windows XP, Vista & Mac OS 9.04+
Material	ABS Plastic
SATA compatibility	SATA / SATA II
Transfer rate	Up to 480Mbps with Hi-Speed USB 2.0

1.5 System Requirement

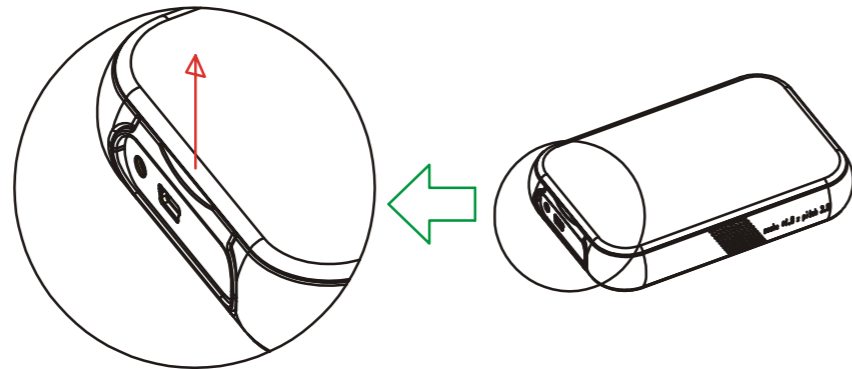
VI-ON 2.5" External Enclosure does not require any driver.

Operating Systems supported includes Windows XP / Windows Vista / Mac OS 9.04+.

2. Installation

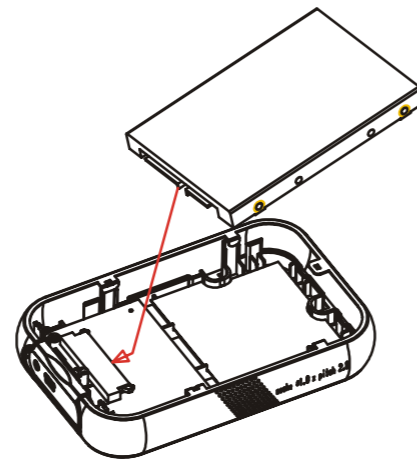
2.1 SATA Hard Drive Installation

1. Remove top cover by lifting it up from rear end of enclosure.

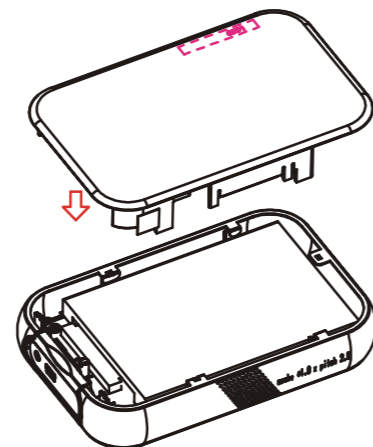


2. Place hard drive into the enclosure

Note: Ensure the SATA connector is connected firmly.



3. Place top cover back onto the main unit. Push on all corners to secure.



2.2 Connecting VI-ON

VI-ON series external enclosure fully supports Windows XP, Vista and Mac OS 9.04+. There are no additional drivers involved. Once USB connection is established with computer, Windows or Mac operating system will automatically install the required drivers.

VI-ON 2.5" external enclosure utilizes an unique Y-type USB Cable. The main purpose of the Y-type cable is to ensure the external enclosure supports hard drives that require higher power input to operate. In additional, because all notebook computers and desktop computers are built differently and has different power output from the respective USB ports, it is recommended that you connect both USB ports. However, not all hard drives will require both USB ports to be connected to work.

IMPORTANT:

If hard drive installed is brand new and has not been formatted or partitioned, please follow Manufacturer's instructions on how to format and partition the hard drive.

